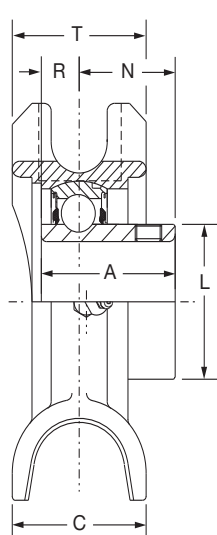


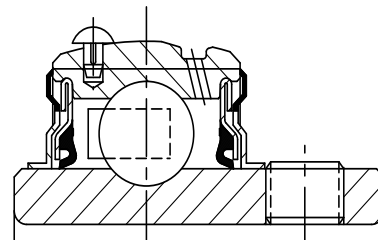
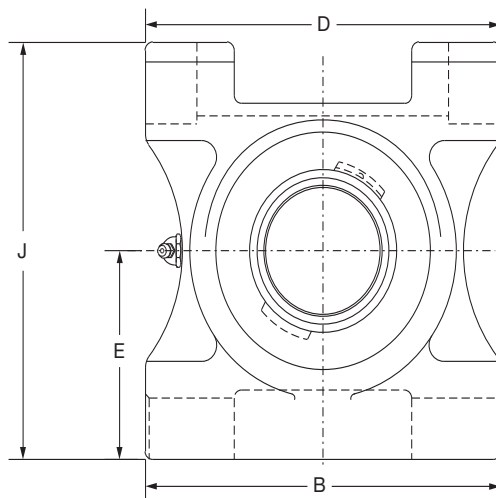


SELECTION/DIMENSIONS

Setscrew Ball Bearings TYPE G NORMAL DUTY TOP ANGLE TAKE-UP BEARINGS



Lube Fitting Thread Size:
1/8-27 NPT



Series	Shaft Size	Part No.	Description
210	1-15/16	012340	TP-G-115
	2	012302	TP-G-200
211	2	136081	TP-GM-200
	2-3/16	012341	TP-G-203
	2-1/4	012303	TP-G-204
212	2-1/4	136082	TP-GM-204
	2-7/16	012342	TP-G-207
214	2-1/2	136083	TP-GM-208
	2-11/15	@	TP-G-211
215	2-15/16	012343	TP-G-215

@ Assembled to order

Series	Shaft Size	Weight lbs.	Frame Size	A	B	C	D	E	J	L	N	R	T
210	1-15/16	10.2	TP10	1.94	6.50	2.38	6.00	3.25	6.38	2.43	1.19	0.75	2.38
	2	10.0											
211	2	12.5	TP20	2.22	7.00	2.50	6.75	3.38	7.88	2.71	1.35	0.87	2.38
	2-3/16	12.4											
	2-1/4	1.02											
212	2-1/4	16.0	TP30	2.31	7.50	2.75	7.00	3.50	7.44	2.97	1.41	0.90	2.75
	2-7/16	15.9											
214	2-1/2	21.3	TP40	2.54	8.50	2.50	8.00	4.00	8.31	3.31	1.38	1.16	2.75
	2-11/15	21.1											
215	2-15/16	21.2	TP40	2.33	8.50	2.50	8.00	4.00	8.31	3.62	1.37	0.96	2.75

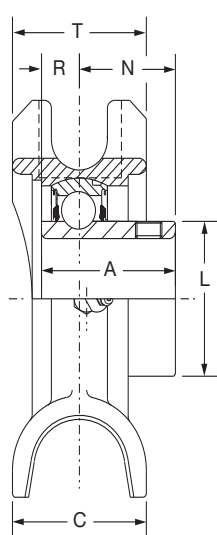
FEATURES/BENEFITS PAGE B4-3	HOW TO ORDER/NOMENCLATURE PAGE B4-5	SELECTION PAGE B4-6	ACCESSORIES PAGE B4-98
--------------------------------	--	------------------------	---------------------------

SELECTION/DIMENSIONS

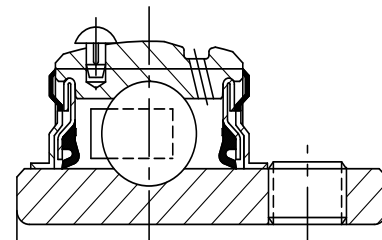
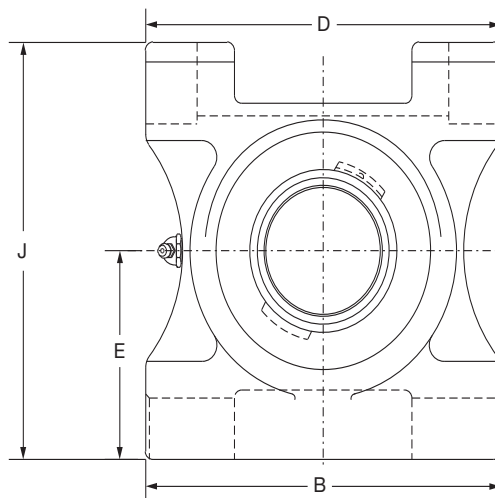


Setscrew Ball Bearings

TYPE GM MEDIUM DUTY TOP ANGLE TAKE-UP BEARINGS



Lube Fitting Thread Size:
1/8-27 NPT



Series	Shaft Size	Part No.	Description
210	1-11/16	136070	TP-GM-111
	1-3/4	136080	TP-GM-112
211	1-15/16	136071	TP-GM-115
	2	136081	TP-GM-200
212	2-3/16	136072	TP-GM-203
	2-1/4	136082	TP-GM-204
214	2-7/16	136073	TP-GM-207
	2-1/2	136083	TP-GM-208
215	2-11/16	136076	TP-GM-211
216	2-15/16	136074	TP-GM-215
	3	136084	TP-GM-300
218	3-7/16	136075	TP-GM-307
	3-1/2	136085	TP-GM-308

Series	Shaft Size	Weight lbs.	Frame Size	A	B	C	D	E	J	L	N	R	T
210	1-11/16	10.4	TP10	1.94	6.50	2.38	6.00	3.25	6.38	2.43	1.19	0.75	2.38
	1-3/4	10.0											
211	1-15/16	12.8	TP20	2.22	7.00	2.50	6.75	3.38	7.88	2.71	1.35	0.87	2.38
	2	12.5											
212	2-3/16	16.2	TP30	2.31	7.50	2.75	7.00	3.50	7.44	2.97	1.41	0.90	2.75
	2-1/4	16.0											
214	2-7/16	21.7	TP40	2.54	8.50	2.50	8.00	4.00	8.31	3.31	1.38	1.16	2.75
	2-1/2	21.0											
215	2-11/16	25.0	TP40	2.33	8.50	2.50	8.00	4.00	8.31	3.62	1.37	0.96	2.75
216	2-15/16	29.8	TP50	2.38	9.50	2.75	9.00	4.50	9.63	3.83	1.41	0.97	3.13
	3	29.5											
218	3-7/16	40.2	TP60	2.56	11.00	3.13	10.50	5.50	11.00	4.35	1.54	1.02	3.13
	3-1/2	40.0											

FEATURES/BENEFITS PAGE B4-3	HOW TO ORDER/NOMENCLATURE PAGE B4-5	SELECTION PAGE B4-6	ACCESSORIES PAGE B4-98
--------------------------------	--	------------------------	---------------------------